



KAISZER PUMP

WATER & WASTEWATER TREATMENT

RY- Submersible sewage pump



About.

The body of motor and pump is made of rigid cast iron for long-lasting durability. Greatly increased maximum submersion depth due to mechanical seal resistant to high pressure.

Semi-open impeller made of high chrome alloy match with wear plate(ductile iron)achieves superior durability.

Effective motor cooling due to discharge channel cast as part of the motor housing.Space economically by a top outlet.

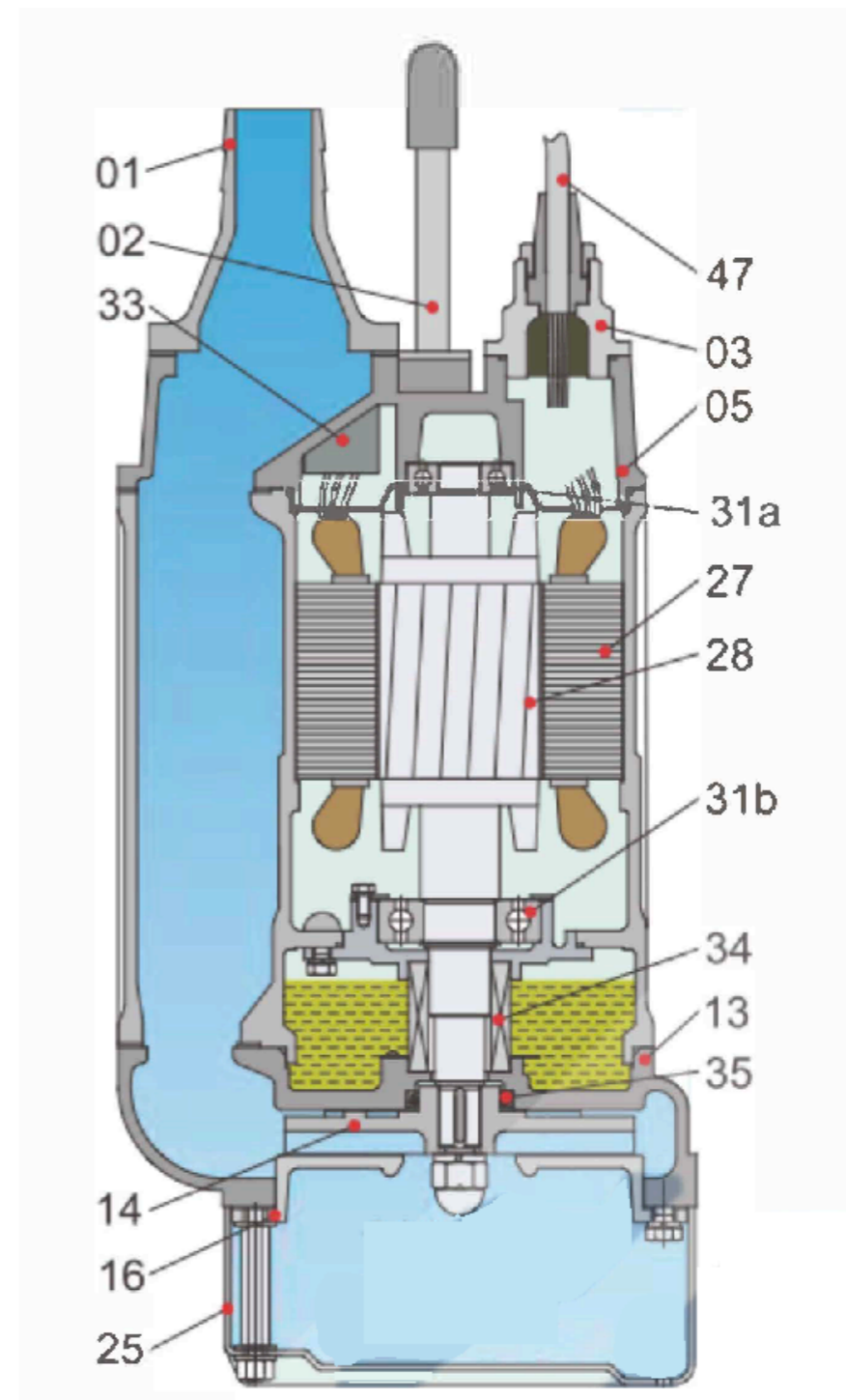
Discharge 50mm(2")to 150mm(6"),motor 1.5kW(2HP)to 15kW(20HP).

Hermetically sealed motor equipped build-in thermal protection for the power below 15kW.



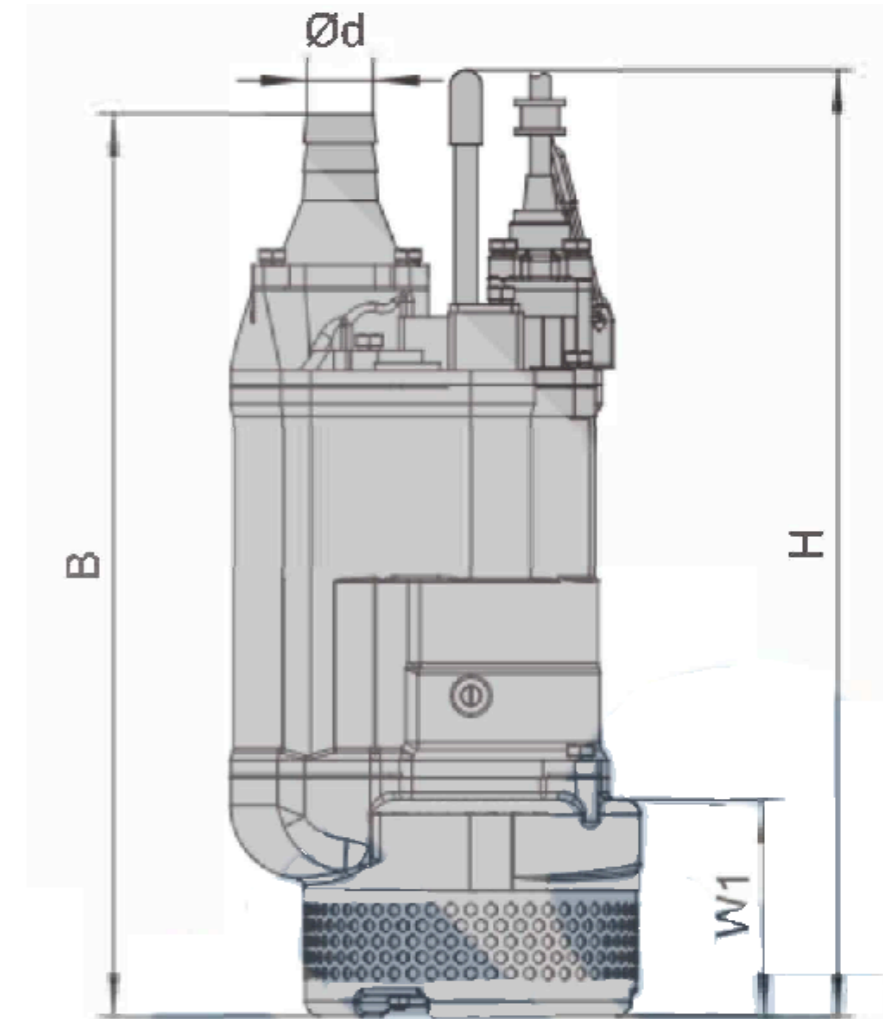
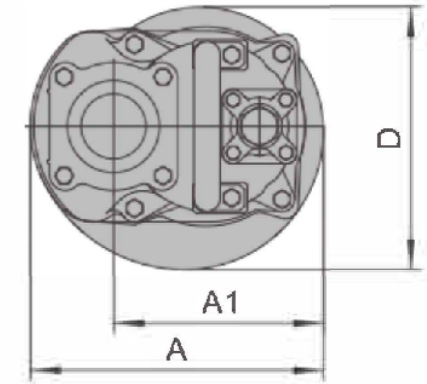


| | |
|----------------|---------------------|
| 1. Discharge | 28. Shaft |
| 2. Grip | 31a. Ball bearing |
| 3. Cable cover | 31b. Ball bearing |
| 5. Motor cover | 33. Motor protector |
| 13. Pump body | 34. Mechanical seal |
| 14. Impeller | 35. Oil seal |
| 16. Wear plate | 47. Cable |
| 25. Strainer | |
| 27. Stator | |

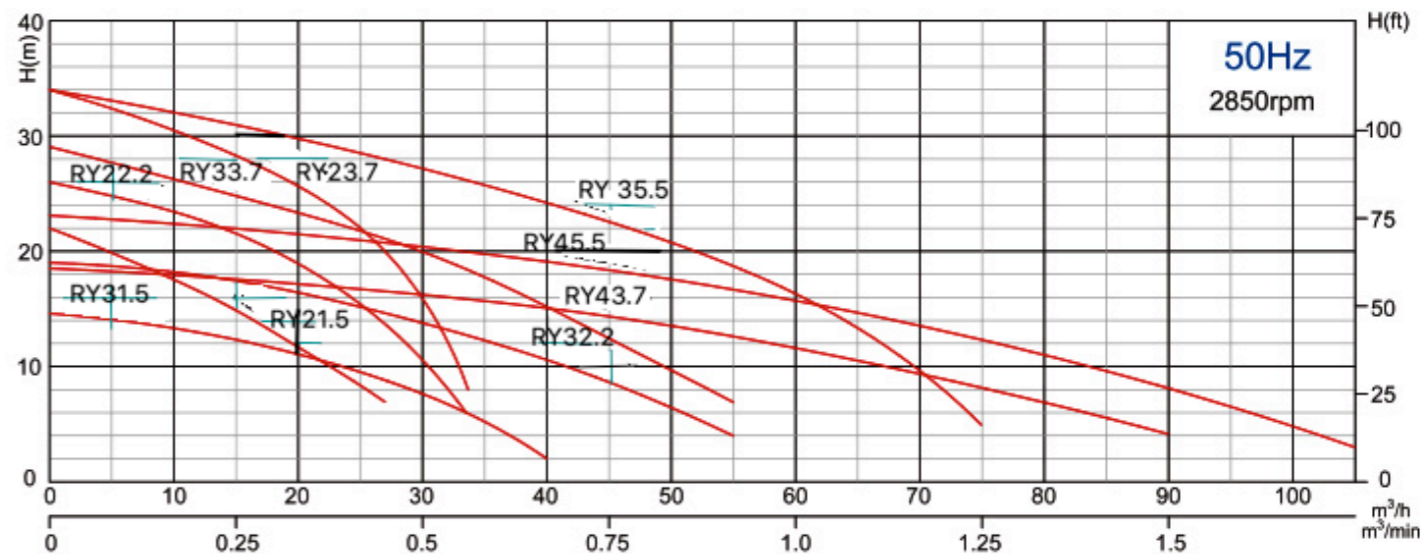




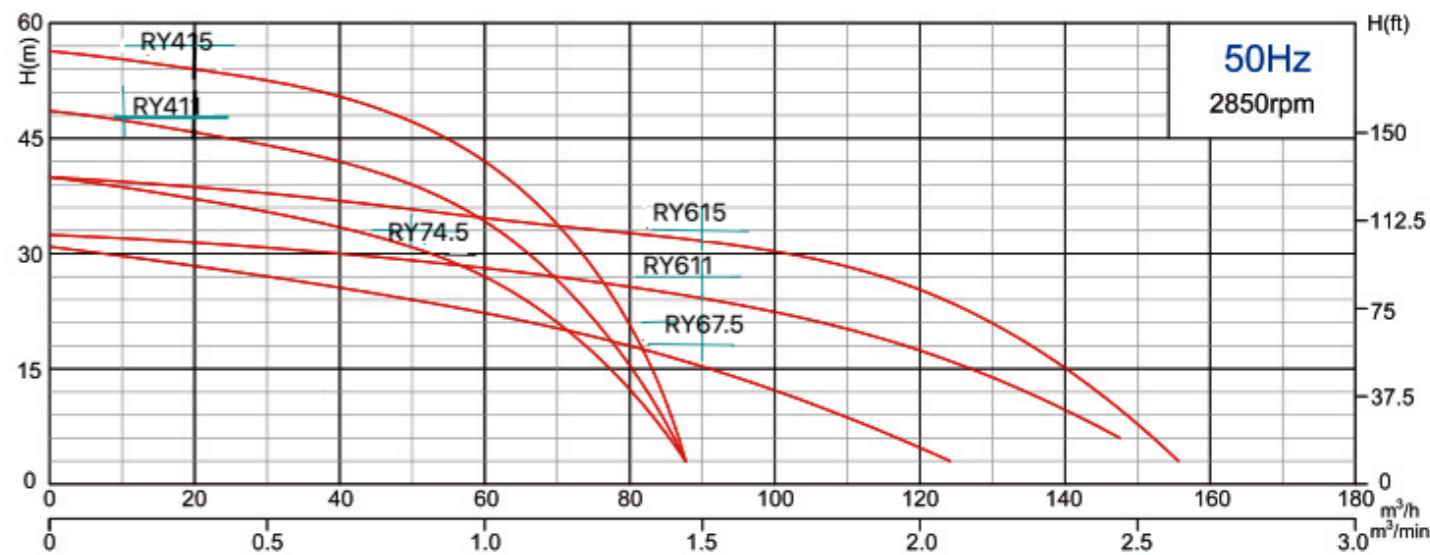
| Modell 50/60 Hz | d mm | A mm | A1 mm | B mm | D mm | H mm | W1 mm |
|-----------------------|---------|---------|----------|---------|---------|---------|----------|
| RY 21,5 | 50 | 235 | 173 | 535 | 216 | 505 | 120 |
| RY 31.5 | 80 | 235 | 173 | 535 | 216 | 505 | 120 |
| RY 22.2 | 50 | 235 | 173 | 535 | 216 | 505 | 120 |
| RY 32.2 | 80 | 235 | 173 | 535 | 216 | 505 | 120 |
| RY 23.7 | 50 | 283 | 208 | 628 | 252 | 150 | 63 |
| RY 33.7 | 80 | 283 | 208 | 628 | 252 | 150 | 63 |
| RY 43.7 | 100 | 283 | 208 | 642 | 252 | 150 | 63 |
| RY 35.5 | 80 | 283 | 208 | 671 | 252 | 150 | 77 |
| RY 45.5 | 100 | 283 | 208 | 686 | 252 | 150 | 77 |
| RY 47.5 | 100 | 330 | 240 | 764 | 314 | 190 | 106 |
| RY 67.5 | 150 | 373 | 240 | 790 | 314 | 190 | 108 |
| RY 411 | 100 | 373 | 255 | 807 | 350 | 190 | 136 |
| RY 611 | 150 | 373 | 255 | 807 | 350 | 190 | 139 |
| RY 415 | 100 | 373 | 255 | 842 | 350 | 190 | 144 |
| RY 615 | 150 | 373 | 255 | 842 | 350 | 190 | 146 |



W1: Continuous running water level.

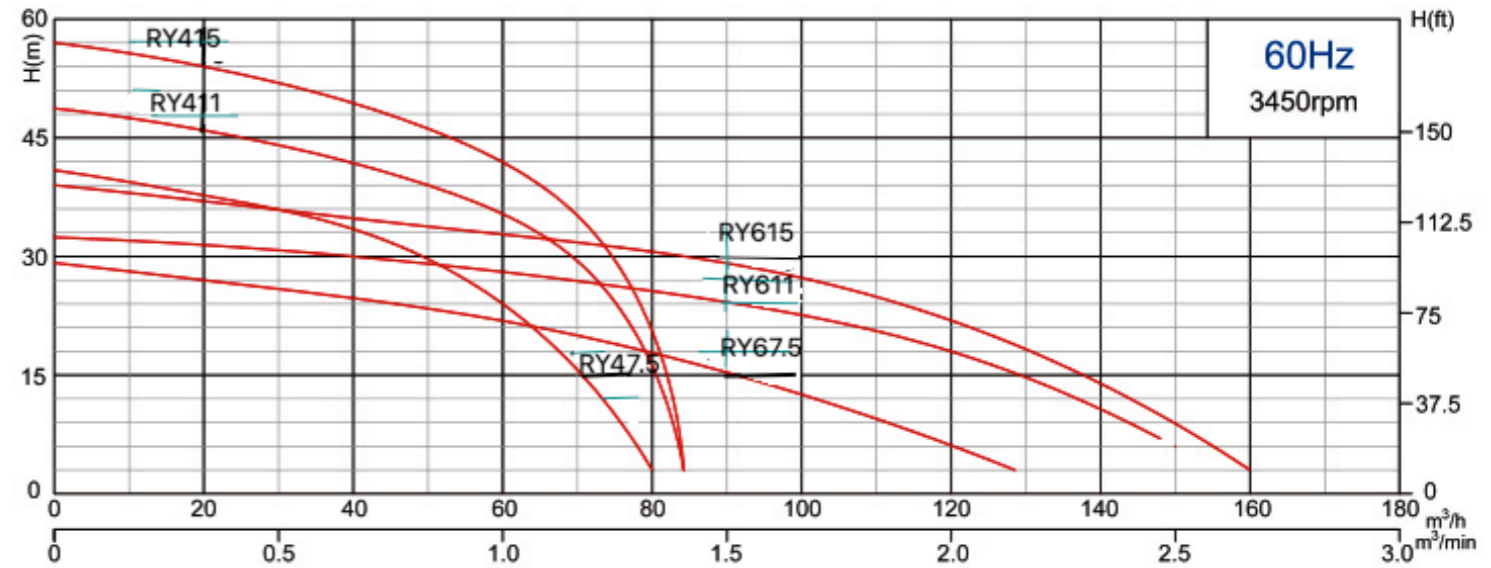
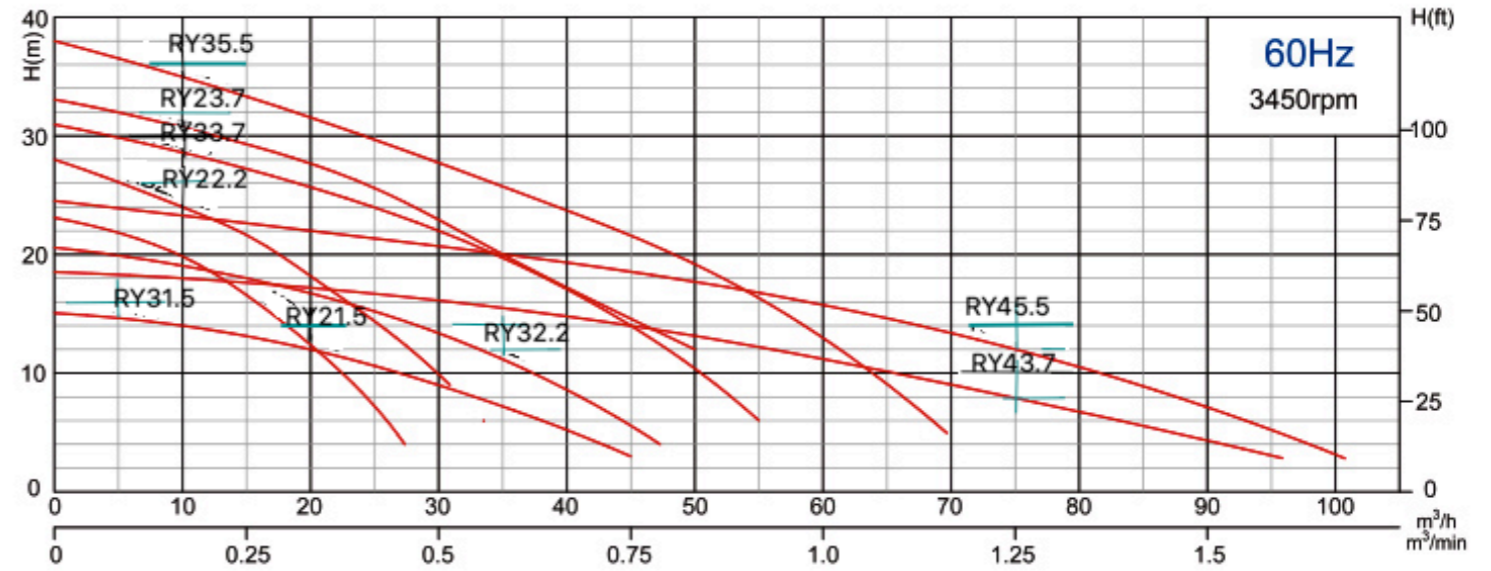


Performance curves 50 Hz





Performance range 60 HZ





RY-1

Applications:

- Civil engineering
- Mines, quarries, coal ore & slurries
- Sewage treatment plants
- General pumping purposes

Special features on request

- Other voltages
- The length of cable is optional

Specifications:

- Capacity: up to 160m³/h
- Head: up to 57 meters
- Power: 1.5kW (2HP) to 15kW (20HP)
- Power supply: three phase 400V ± 10%, 50Hz, 380V ± 10%, 60Hz
- Insulation class: F
- Protection class: IP68
- Cable length: 8m
- Water temperature: up to 40°C
- Max water depth: 25m



RY-2