



KAISZER PUMP

WATER & WASTEWATER TREATMENT

Lobster- sewage pump

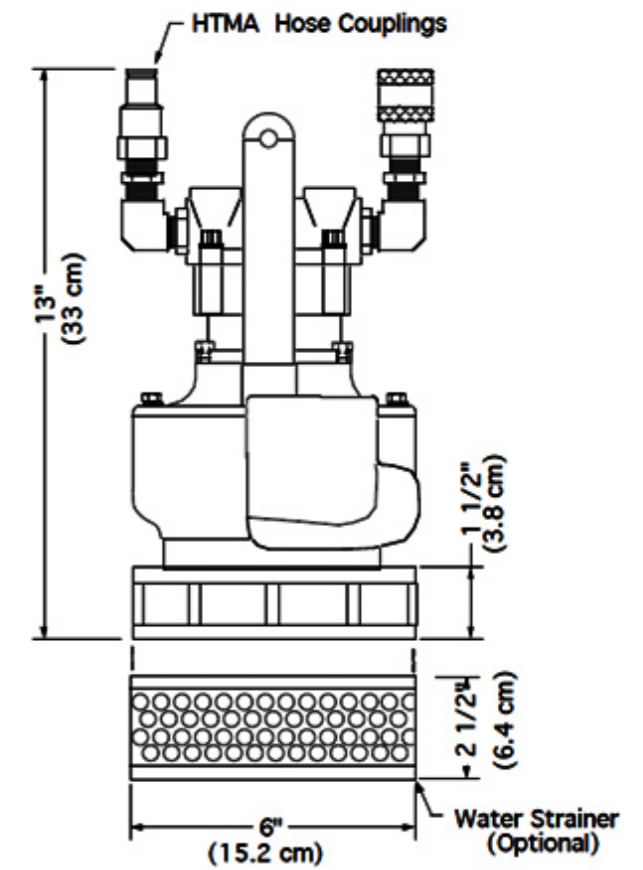
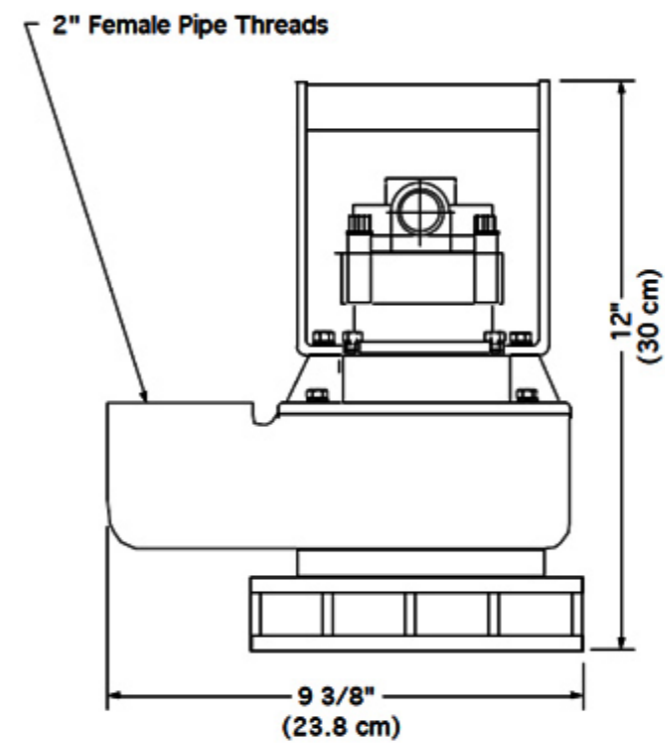


About.

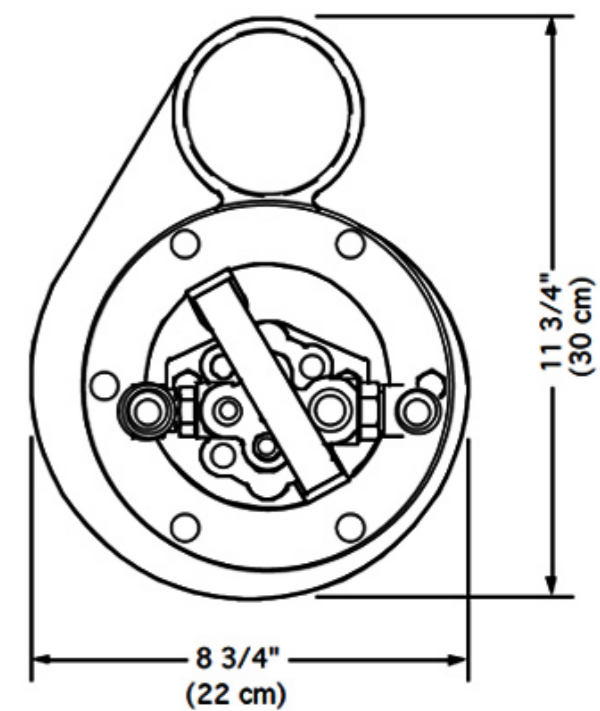
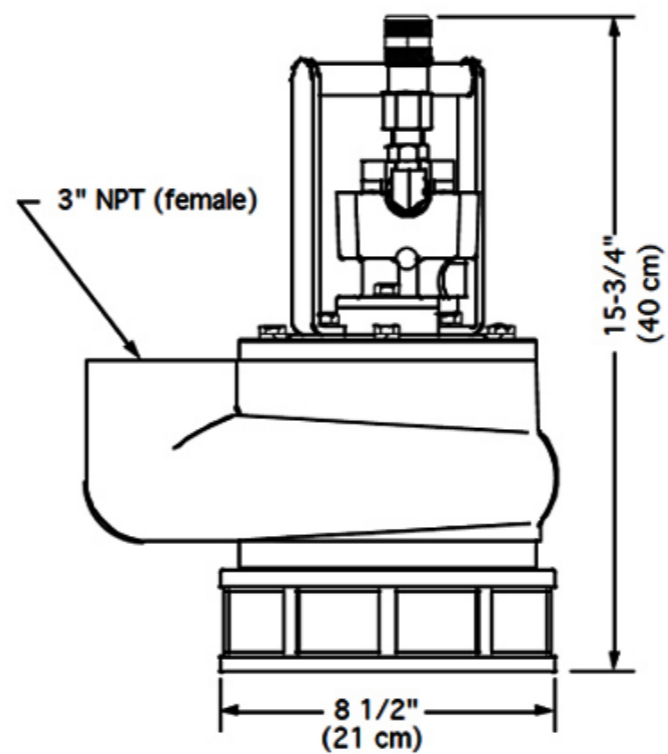
The Lobster is portable vortex impeller pump, these pumps can handle stringy solids and can be used for jobs such as bilge pumping, job site dewatering, waste water transfer, oil skimmers, vault pumping and grit chamber clean-outs.



Dimensions: Lobster 1

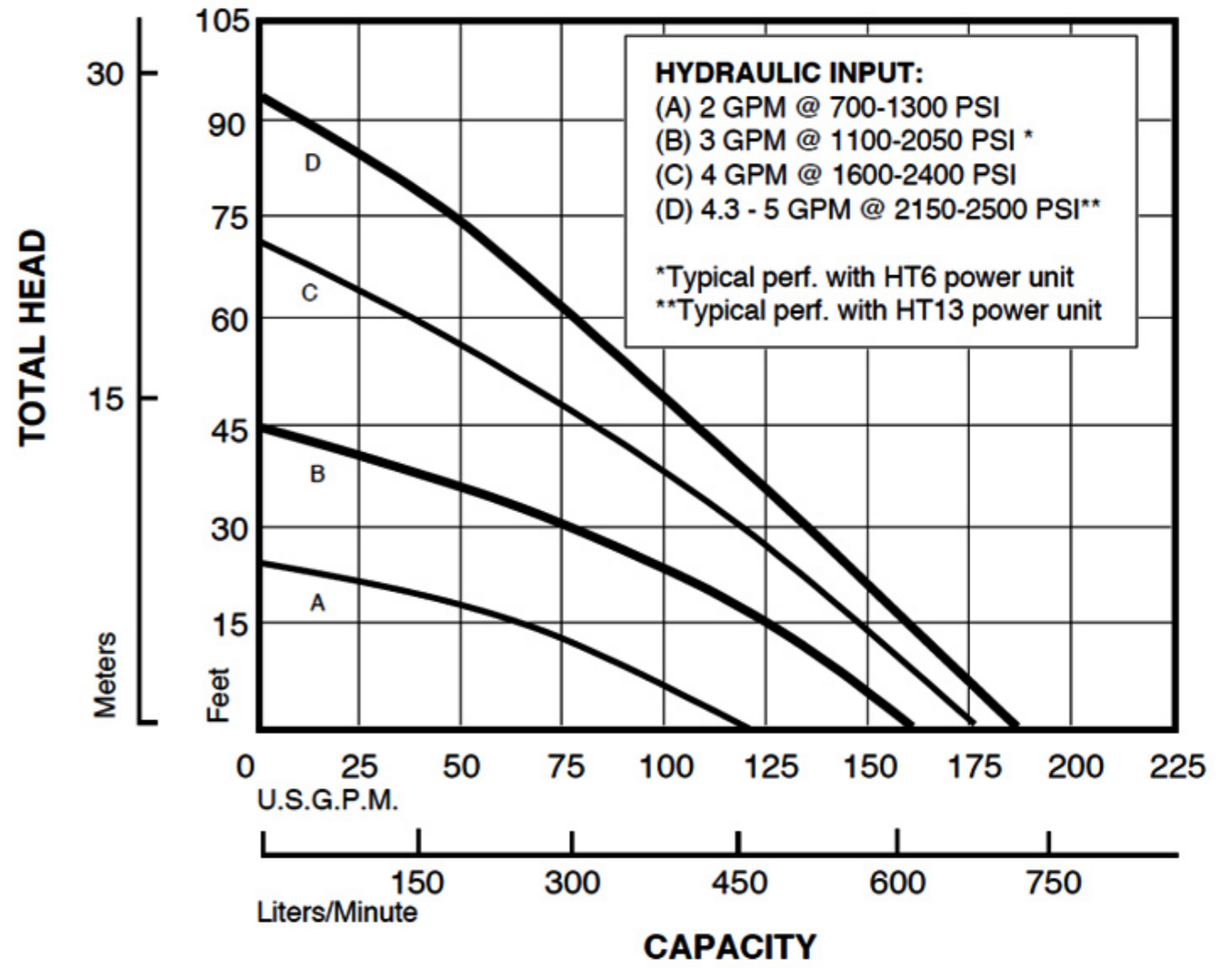


Dimensions: Lobster 2



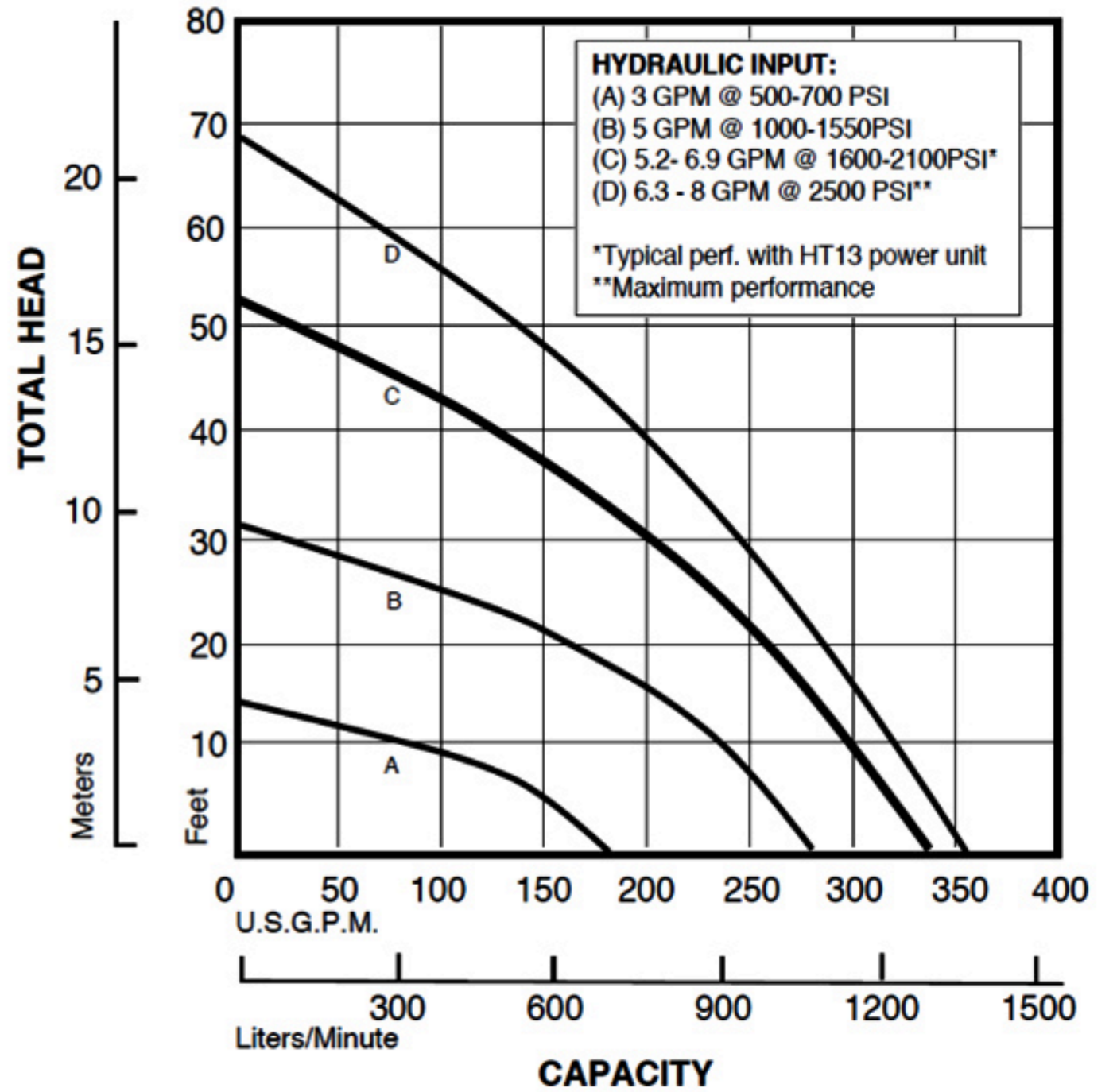


Performanse curve: Lobster 1





Performance curve: Lobster 2



Lobster 1:



Lobster 2:



Features:

1. Full recessed vortex impeller
2. Rugged and reliable gerotor motor
3. Variable speed hydraulic drive
4. Small, light weight and versatile
5. Can be bolted directly into a pipeline
6. Safe hydraulic drive can be used where electric power is hazardous or impractical