



KAISZER PUMP

WATER & WASTEWATER TREATMENT

KPI- API 610 Pump

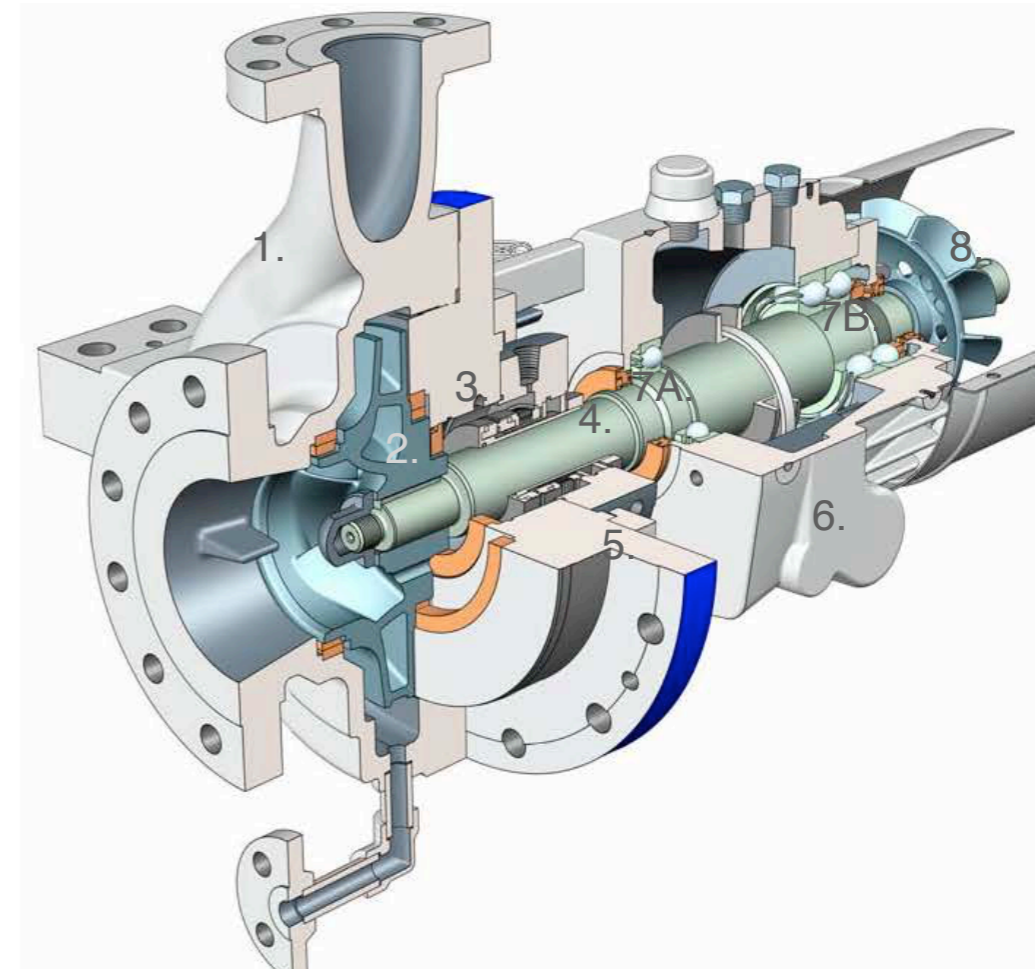


About.

KPC series pumps are designed to API 610 10th specifications for the petrochemical, chemical and oil&gas markets. All API materials are available as standard to match your application.

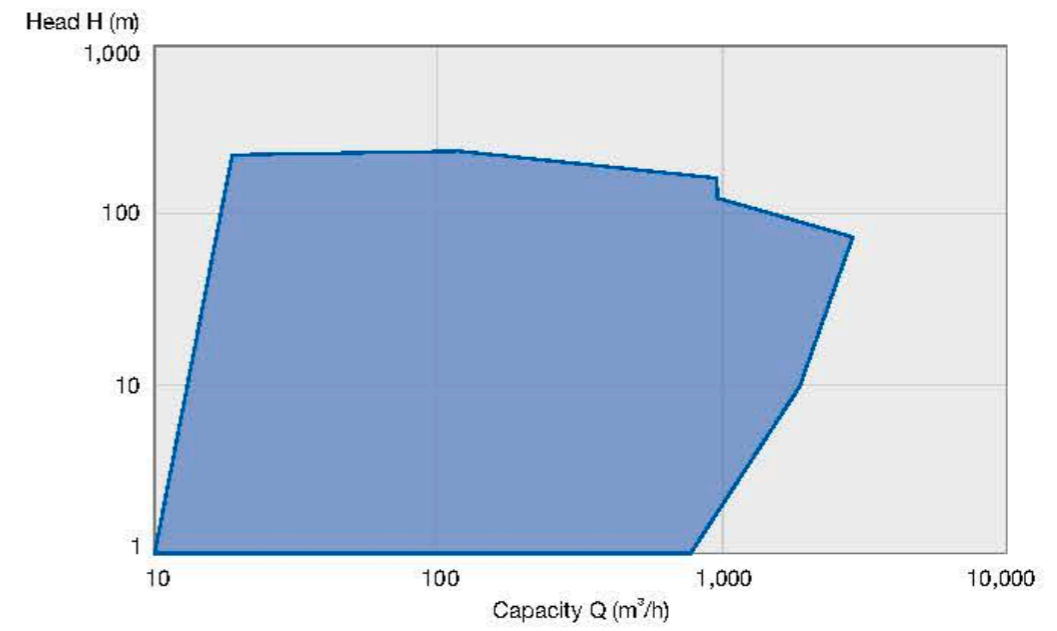


1. Pump casing.
2. Impeller.
3. Seal arrangement.
4. Shaft.
5. Lantern.
6. Bearing assembly.
7. A 1x Bearing/B 2x Bearing.
8. Cooling fan.





Covering range 50 Hz:





Specifications:

50 Hz	Size	Capacities	Head	Pressure	Temperature
➔	25-400 mm	-2250 m ³ /h	- 370 m	- 75 bar	-75-425 C



Applications:

1. Oil
2. Gas
3. Hydrocarbon processing
4. Power generation